

*Ferro Mobili*

**Mobilier en fer forgé**  
Collection lits



# Oslo



1400 / 1600 / 1800 x 1900 / 2000 mm ( L x l )  
1610 / 1810 / 2010 x 1980 / 2080 mm ( L<sub>tot</sub> x l<sub>tot</sub> )

H - tête: 1310 mm  
H - pied: 780 mm

Chevet: 400 x 400 x 500 mm, verre ép. 8 mm

# Syracuse



1400 / 1600 / 1800 x 1900 / 2000 mm ( L x l )  
1500 / 1700 / 1900 x 1980 / 2080 mm ( L<sub>tot</sub> x l<sub>tot</sub> )

H - tête: 1190 mm  
H - pied: 640 mm

Chevet: 400 x 400 x 500 mm, verre ép. 8 mm

# Palerme



1400 / 1600 / 1800 x 1900 / 2000 mm ( L x l )  
1500 / 1700 / 1900 x 1980 / 2080 mm ( L<sub>tot</sub> x l<sub>tot</sub> )

H - tête: 1300 mm  
H - pied: 730 mm

Chevet: 400 x 400 x 500 mm



Palerme baldaquin



H baldaquin: 2100 mm

# Florence



1400 / 1600 / 1800 x 1900 / 2000 mm ( L x l )  
1500 / 1700 / 1900 x 1980 / 2080 mm ( L<sub>tot</sub> x l<sub>tot</sub> )

H - tête: 1300 mm  
H - pied: 650 mm

Chevet: 400 x 400 x 500 mm

# Napoli



1400 / 1600 / 1800 x 1900 / 2000 mm ( L x l )  
1500 / 1700 / 1900 x 1980 / 2080 mm ( L<sub>tot</sub> x l<sub>tot</sub> )

H - tête: 1100 mm  
H - pied: 640 mm

Chevet: 400 x 400 x 500 mm

# Java



1400 / 1600 / 1800 x 1900 / 2000 mm ( L x l )  
1500 / 1700 / 1900 x 1980 / 2080 mm ( L<sub>tot</sub> x l<sub>tot</sub> )

H - tête: 1400 mm  
H - pied: 640 mm

Chevet: 400 x 400 x 500 mm

# Borneo



1400 / 1600 / 1800 x 1900 / 2000 mm ( L x l )  
1500 / 1600 / 1900 x 1980 / 2080 mm ( L<sub>tot</sub> x l<sub>tot</sub> )

H - tête: 1300 mm  
H - pied: 640 mm

Chevet: 400 x 400 x 500 mm

# Roma



1400 / 1600 / 1800 x 1900 / 2000 mm ( L x l )  
1500 / 1700 / 1900 x 1980 / 2080 mm ( L<sub>ext</sub> x l<sub>ext</sub> )

H - tête: 1090 mm  
H - pied: 770 mm

Chevet: 400 x 400 x 500 mm



Roma baldaquin

H baldaquin: 2100 mm

# Tina



1400 / 1600 / 1800 x 1900 / 2000 mm ( L x l )  
1500 / 1700 / 1900 x 1980 / 2080 mm ( L<sub>tot</sub> x l<sub>tot</sub> )

H - tête: 950 mm  
H - pied: 590 mm

Chevet: 400 x 400 x 500 mm.



Tina baldaquin

H baldaquin: 2100 mm

# Fantezia



1400 / 1600 / 1800 x 1900 / 2000 mm ( L x l )  
1700 / 1900 / 2100 x 1980 / 2080 mm ( L<sub>tot</sub> x l<sub>tot</sub> )

H - tête: 1260 mm  
H - pied: 910 mm

Chevet: 400 x 400 x 500 mm

# Tree



1400 / 1600 / 1800 x 1900 / 2000 mm ( L x l )  
1500 / 1700 / 1900 x 1980 / 2080 mm ( L<sub>tot</sub> x l<sub>tot</sub> )

H - tête: 940 mm  
H - pied: 760 mm

Chevet: 400 x 400 x 500 mm



# Knott



1400 / 1600 / 1800 x 1900 / 2000 mm ( L x l )      H - tête: 940 mm  
1500 / 1700 / 1900 x 1980 / 2080 mm ( L<sub>tot</sub> x l<sub>tot</sub> )      H - pied: 820 mm

Chevet: 400 x 400 x 500 mm.



Palerme baldaquin

H baldaquin: 2100 mm

# Sabina



1400 / 1600 / 1800 x 1900 / 2000 mm (L x l)  
1500 / 1700 / 1900 x 1980 / 2080 mm (L<sub>ext</sub> x l<sub>ext</sub>)

H - tête: 1100 mm  
H - pied: 800 mm

Chevet: 400 x 400 x 500 mm



Sabina baldaquin

H baldaquin: 2100 mm



1600 x 1900 / 2000 mm ( L x l )  
1810 x 1980 / 2080 mm ( L<sub>ext</sub> x l<sub>ext</sub> )

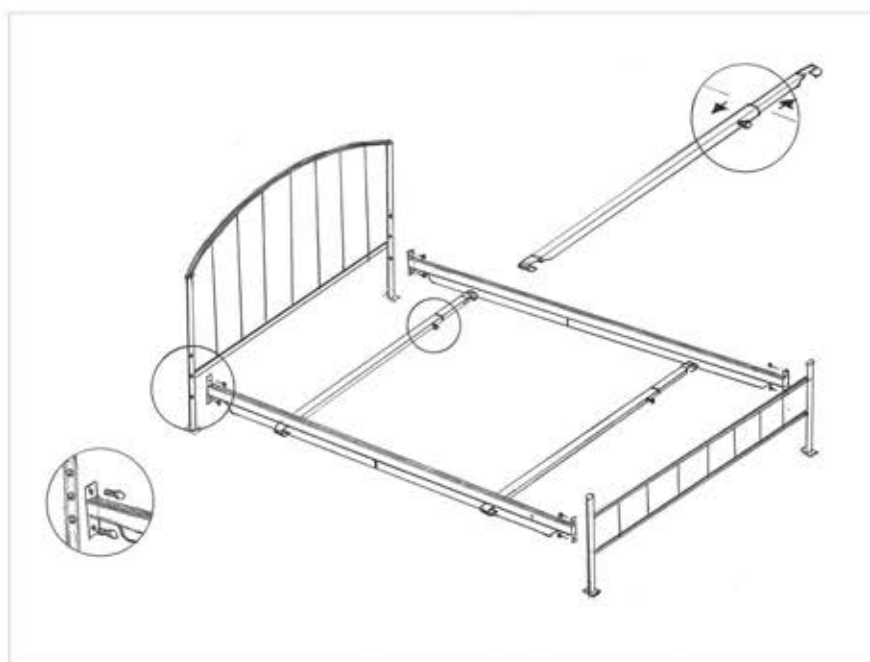
H - tête: 1450 mm  
H - pied: 680 mm

Chevet: 400 x 400 x 500 mm

## Les instructions d'installation

## Couleurs

Un choix de 11 coloris sur l'ensemble de la collection



1 - Blanc or    2 - Noir or    3 - Gris    4 - Cuivre



5 - Bleu Gris    8 - Vert    9 - Vert or    10 - Rouille



11 - Rouge    12 - Rouge or    16 - Marron or



### *Ferro Mobili*

Factory: Soseaua Gaesti 13B Targoviste, Jud. Dambovita

Tel: +40 245 211936 Fax: +40 245 217859

Showroom: Calea Bucurestilor 244B Otopeni, Jud. Ilfov ROMANIA

Tel: +40 21 231 68 17

[ferromobili2012@yahoo.com](mailto:ferromobili2012@yahoo.com)

[www.rimag.ro](http://www.rimag.ro)

<http://www.portidinfierforjat.ro/>